



LE BOREAL



Small Ship, Exceptional State-of-the-Art Design

Aboard the deluxe **Le Boreal**, distinctive French sophistication meets innovative nautical design. The efficient propulsion system and custom-built stabilizers provide an exceptionally smooth, quiet and comfortable voyage.

Le Boreal further reaffirms PONANT's signature approach: to take passengers to the farthest reaches of the planet on board modern ships offering top-of-the-range services.

An elegant appearance and refined interior design combine with cutting-edge technology to offer a new type of cruising: adventure in a luxury setting.

Respect for the Environment

By design, Le Boreal is energy-efficient and environmentally protective of marine ecosystems; it has earned the "Clean Ship" distinction due to its advanced eco-friendly features and ongoing operations. The ship has two tenders and 11 Zodiacs.

Life On Board

In keeping with the low passenger density, the public areas are expansive and inviting, and can accommodate all passengers comfortably. Enjoy the views from the Panoramic Lounge; nightly entertainment in the Main Lounge; and lectures, cultural performances or film screenings in the state-of-the-art theater. Each ship has a library, Internet suite, Sun Deck, swimming pool, beauty salon, spa, Turkish bath-style steam room, a full range of fitness equipment and two elevators.

SHIP SPECIFICATIONS

Registry: France	Length: 466 feet
Guest Decks: 6	Beam: 59 feet
Number of Guest Cabins: 132	Draft: 15 feet
Guest Capacity: 264	Tonnage: 10,944 tons
Number of Crew: 145	Speed: 14 knots
Language Spoken by Crew: French & English	Zodiacs: 11

STATEROOM FEATURES

The elegant, ocean-view accommodations of **Le Boreal** range from 193 to 484 square feet, and most have a private balcony. Each air-conditioned suite and stateroom features individual climate control, two twin beds or one queen bed, a private bathroom with shower, a full-length closet, writing desk/dressing table, and luxurious amenities including plush robes and slippers.

- Individually controlled temperature
- Dressing room with shelves and closet
- Dressing table and hair dryer
- Top-of-the-line Diptyque Paris bath products
- Minibar
- Nespresso coffee maker
- Electronic safe
- Direct-line telephone
- Bose bluetooth speaker



- Flat-screen TV and international channels*
- 110V American/220V European
- Three ADA staterooms



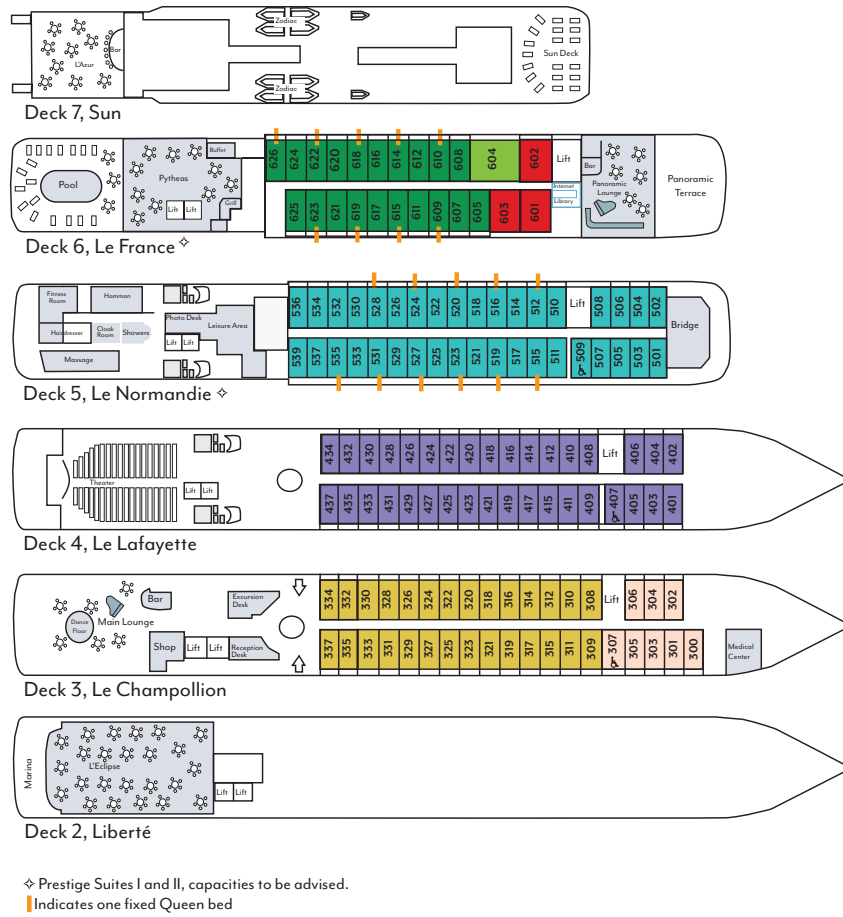
LE BORÉAL

SHIP FACILITIES & GUEST SERVICES

- 24-Hour Room Service
- Wi-Fi Internet Access*
- Laundry
- Boutique
- Two Restaurants
- Main Lounge
- Theater
- Wellness Area
- Fitness Center
- Sauna
- Hammam (Swimsuit required)
- Massage
- Spa
- Hair Salon
- Recreation Area
- Panoramic Lounge
- Pool
- Sun Deck
- Exterior Bar

*These services are provided by a satellite connection, which may be sporadic due to weather conditions or boat movement.

Internet services are complimentary.



Chic and Casual Dining

The stylish, spacious dining room and the casual indoor-outdoor restaurant serve international and regional cuisine in single, unassigned seatings. Daily meals include continental and buffet breakfasts, buffet lunches, afternoon tea and four-course dinners. Wine is served at your table with lunch and dinner.

With Our Compliments

On board, enjoy complimentary alcoholic and nonalcoholic beverages available throughout the cruise and in your suite or stateroom minibar; complimentary Wi-Fi access (conditions permitting), and complimentary 24-hour room service.

World-Class Service

The highly trained English-speaking, international crew are personable and attentive.

Currency

The euro is the official currency on board the ship. American Express, MasterCard and Visa credit cards and U.S. dollars are also accepted. Participants may sign for beverages and purchases on board and settle their account prior to disembarkation. The ship does not maintain a currency exchange. Euros cannot be obtained on board.

Smoking Policy

Le Boréal has a nonsmoking policy. Smoking is permitted only on Deck 6, by the pool, in a specially designated area.

Medical Services

Shipboard medical services and facilities, including a doctor, nurse and medications, are available for a nominal charge.